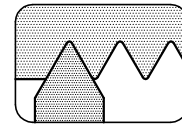
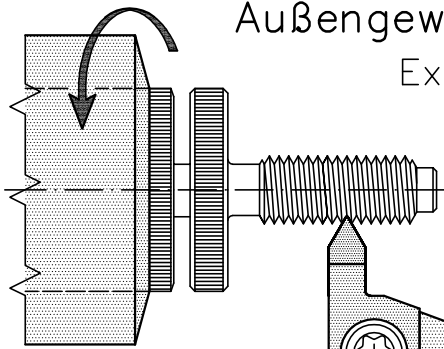


Außengewindestrehlen

External threading

Filetage extérieur

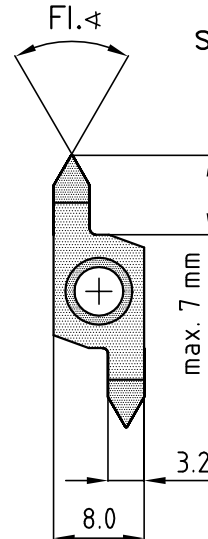
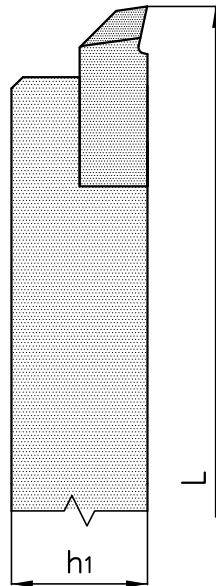
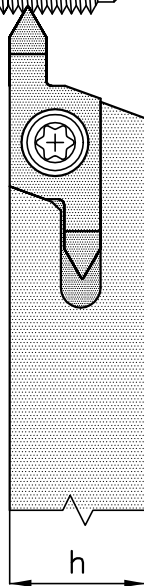
Teilprofil Partial profile Profil partiel



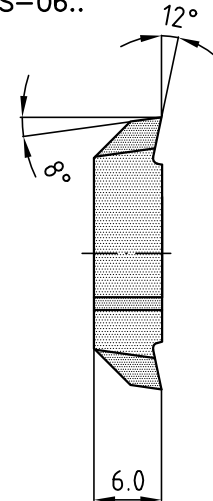
Rechter Halter rechte Platte
Right-hand holder right-hand insert
Porte-outil droite Plaquette droite

Linker Halter linke Platte
Left-hand holder left-hand insert
Porte-outil gauche Plaquette gauche

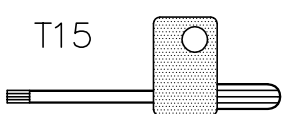
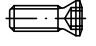
Rechtsausführung gezeichnet
Right-hand version shown
Exécution représentée à droite



SCGS-06..



Bestellbezeichnung Order number Désignation de commande

Halter Holder Porte-outils	h	h1	L	Schraube Screw Vis	Schlüssel Key Clef
SSXC-06-1010-L/R	10	10	140	M4x9.5	 T15
SSXC-06-1212-L/R	12	12	140		
SSXC-06-1616-L/R	16	16	125		
SSXC-06-2020-L/R	20	20	125	M4x11.5	



Seite Page 20

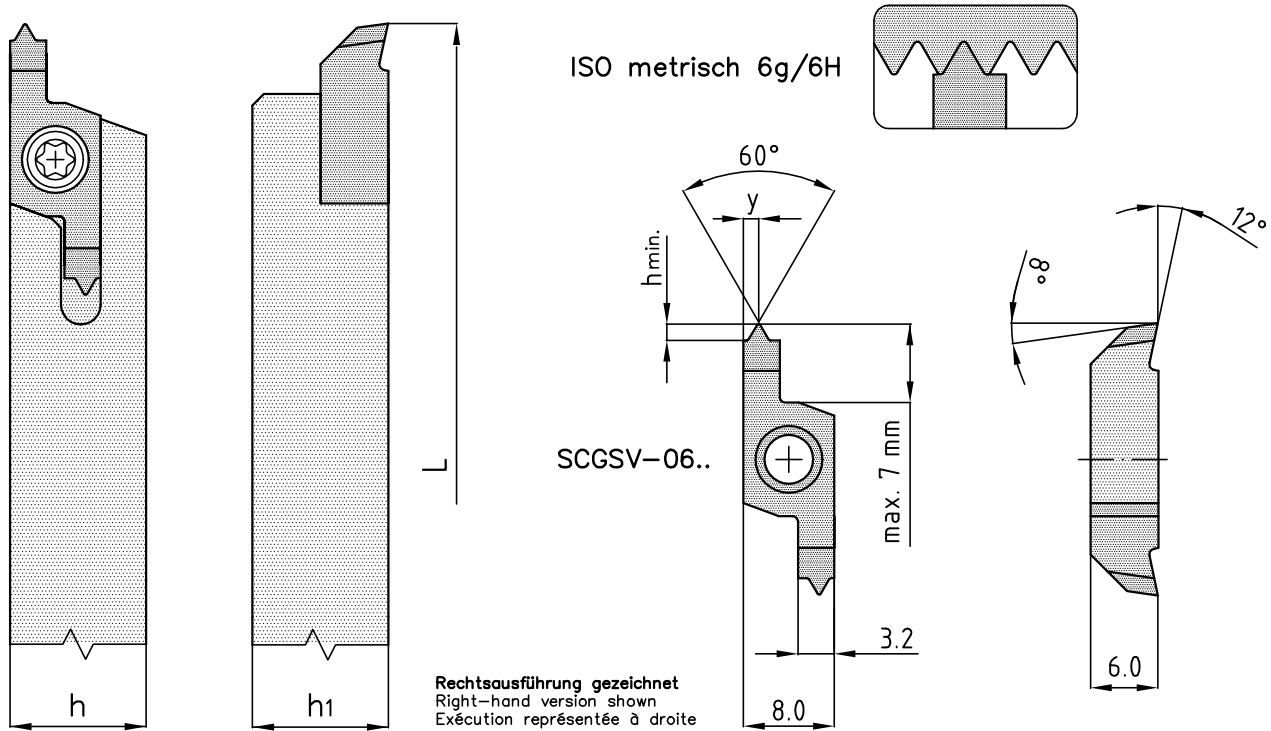
Wendepplatten ISO Metrisch 60° Indexable inserts ISO metric 60° Plaquettes réversibles ISO métriques 60°	Beschichtet Coated Revêtu	Unbeschichtet Uncoated Non-revêtu	Type Type Type	Steigungsbereich mm Range of pitch mm Gamme de pas mm	Fl.4
SCGS-06-60°-T1-12°-L/R-G1A	BD1		T1	0.5-0.6-0.7-0.75-0.8	60°
SCGS-06-60°-T2-12°-L/R-G1A	BD1		T2	1.0-1.25-1.5	
SCGS-06-60°-T3-12°-L/R-G1A	BD1		T3	1.75-2.0	
SCGS-06-60°-T4-12°-L/R-G1A	BD1		T4	2.5-3.0	

Wendepplatten UN American Unified 60° Indexable inserts UN American Unified 60° Plaquettes réversibles UN American Unified 60°	Beschichtet Coated Revêtu	Unbeschichtet Uncoated Non-revêtu	Type Type Type	Gangzahl auf 1 Zoll Number of threads per inch Nombre de filets au pouce	Fl.4
SCGS-06-60°-T1-12°-L/R-G1A	BD1		T1	48-44-40-36-32	60°
SCGS-06-60°-T2-12°-L/R-G1A	BD1		T2	28-27-24-20	
SCGS-06-60°-T3-12°-L/R-G1A	BD1		T3	18-16-14-13	
SCGS-06-60°-T4-12°-L/R-G1A	BD1		T4	12-11.5-11-10-9	

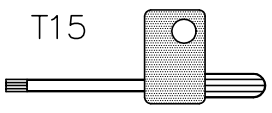
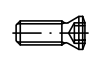
Wendepplatten BSW Whitworth G°55° Indexable inserts BSW Whitworth G°55° Plaquettes réversibles BSW Whitworth G°55°	Beschichtet Coated Revêtu	Unbeschichtet Uncoated Non-revêtu	Type Type Type	Gangzahl auf 1 Zoll Number of threads per inch Nombre de filets au pouce	Fl.4
SCGS-06-55°-T6-12°-L/R-G1A	BD1		T6	72-60-56-48-40-36-32	55°
SCGS-06-55°-T7-12°-L/R-G1A	BD1		T7	28-26-24-22-20-19-18	
SCGS-06-55°-T8-12°-L/R-G1A	BD1		T8	16-14-12-11-10-9	

Außengewindestreihen External threading Filetage extérieur

Vollprofil Full profile Profil plein

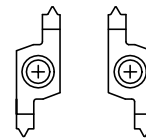





Bestellbezeichnung Order number Désignation de commande

Halter Holder Porte-outils	h	h1	L	Schraube Screw Vis	Schlüssel Key Cléf
SSXC-06-1010-L/R	10	10	140	M4x9.5	
SSXC-06-1212-L/R	12	12	140		
SSXC-06-1616-L/R	16	16	125		
SSXC-06-2020-L/R	20	20	125		

Linker Halter linke Platte
Left-hand holder left-hand insert
Porte-outil gauche Plaqueette gauche

Rechter Halter rechte Platte
Right-hand holder right-hand insert
Porte-outil droite Plaqueette droite



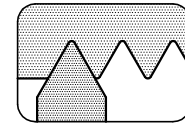
Wendeplatten ISO Metrisch 60° Indexable inserts ISO metric 60° Plaquettes réversibles ISO métriques 60°	Beschichtet Coated Revêtu	Steigung mm Pitch mm Pas mm	h _{min.}	y	Links Left Gauche	Rechts Right Droite	
SCGSV-06-60°-0.5-12°-L/R-G1A	BD1	0.5	0.31	0.4	●	●	  
SCGSV-06-60°-0.6-12°-L/R-G1A	BD1	0.6	0.37	0.6	☞	☞	
SCGSV-06-60°-0.7-12°-L/R-G1A	BD1	0.7	0.43	0.6	☞	●	
SCGSV-06-60°-0.75-12°-L/R-G1A	BD1	0.75	0.46	0.6	☞	☞	
SCGSV-06-60°-0.8-12°-L/R-G1A	BD1	0.8	0.49	0.6	☞	●	
SCGSV-06-60°-1.0-12°-L/R-G1A	BD1	1.0	0.61	0.7	●	●	
SCGSV-06-60°-1.25-12°-L/R-G1A	BD1	1.25	0.77	0.9	☞	●	
SCGSV-06-60°-1.5-12°-L/R-G1A	BD1	1.5	0.92	1.0	●	●	
SCGSV-06-60°-1.75-12°-L/R-G1A	BD1	1.75	1.07	1.2	☞	●	
SCGSV-06-60°-2.0-12°-L/R-G1A	BD1	2.0	1.23	1.3	☞	☞	
SCGSV-06-60°-2.5-12°-L/R-G1A	BD1	2.5	1.53	1.5	☞	●	

Außengewindestrehlen

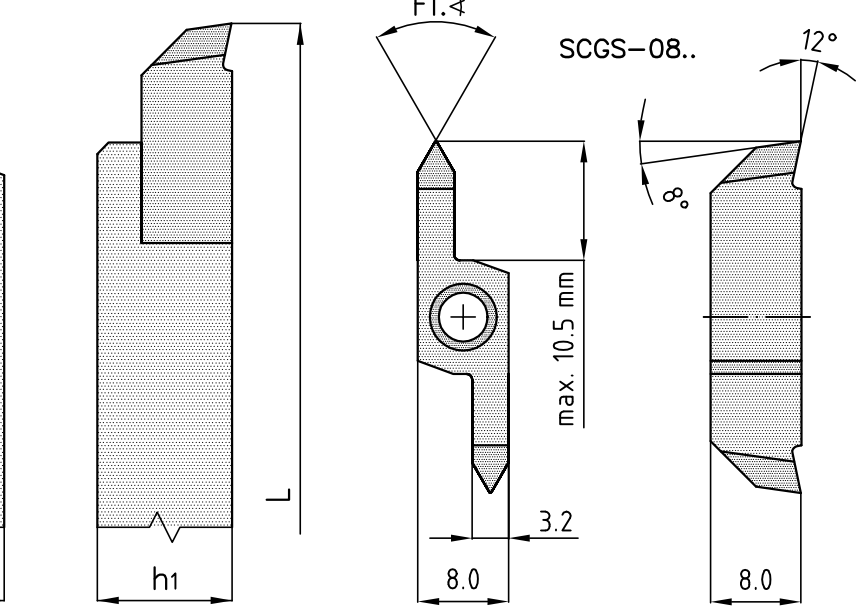
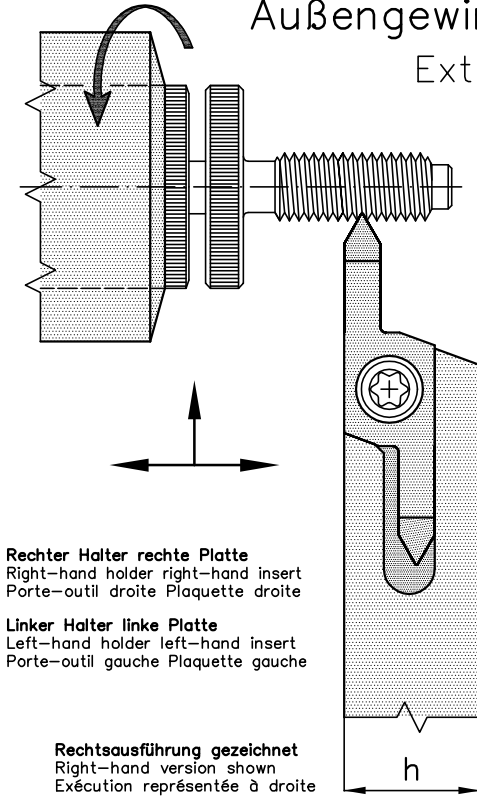
External threading

Filetage extérieur

Teilprofil Partial profile Profil partiel



SCGS-08..



Bestellbezeichnung Order number Désignation de commande

Halter Holder Porte-outils	h	h1	L	Schraube Screw Vis	Schlüssel Key Clef
SSXC-08-1212-L/R	12	12	140	 M4x11.5	T15
SSXC-08-1616-L/R	16	16	125		
SSXC-08-2020-L/R	20	20	125		



Seite Page 20

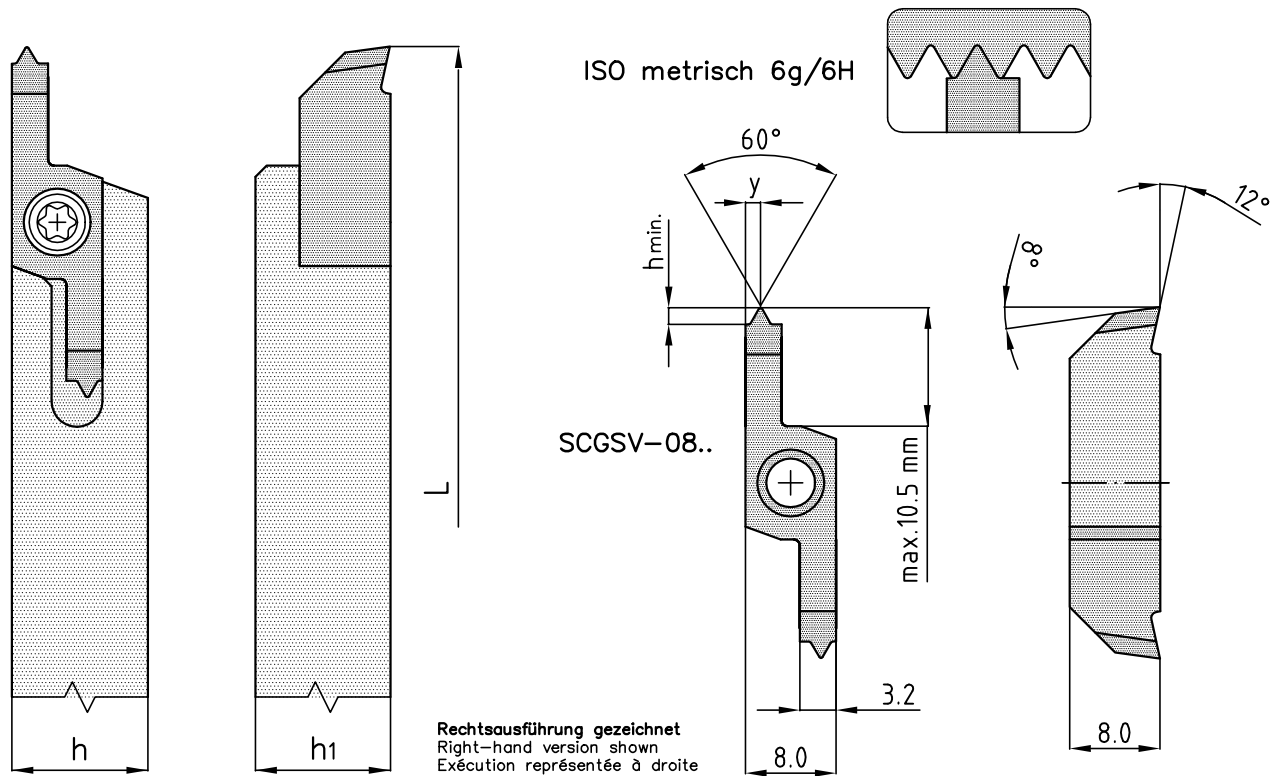
Wendepplatten ISO Metrisch 60° Indexable inserts ISO metric 60° Plaquettes réversibles ISO métriques 60°	Beschichtet Coated Revêtu	Unbeschichtet Uncoated Non-rêvêtu	Type Type Type	Steigungsbereich mm Range of pitch mm Gamme de pas mm	Fl.∠
SCGS-08-60°-T1-12°-L/R-G1A	BD1		T1	0.5-0.6-0.7-0.75-0.8	60°
SCGS-08-60°-T2-12°-L/R-G1A	BD1		T2	1.0-1.25-1.5	
SCGS-08-60°-T3-12°-L/R-G1A	BD1		T3	1.75-2.0	
SCGS-08-60°-T4-12°-L/R-G1A	BD1		T4	2.5-3.0	

Wendepplatten UN American Unified 60° Indexable inserts UN American Unified 60° Plaquettes réversibles UN American Unified 60°	Beschichtet Coated Revêtu	Unbeschichtet Uncoated Non-rêvêtu	Type Type Type	Gangzahl auf 1 Zoll Number of threads per inch Nombre de filets au pouce	Fl.∠
SCGS-08-60°-T1-12°-L/R-G1A	BD1		T1	48-44-40-36-32	60°
SCGS-08-60°-T2-12°-L/R-G1A	BD1		T2	28-27-24-20	
SCGS-08-60°-T3-12°-L/R-G1A	BD1		T3	18-16-14-13	
SCGS-08-60°-T4-12°-L/R-G1A	BD1		T4	12-11.5-11-10-9	

Wendepplatten BSW Whitworth G°55° Indexable inserts BSW Whitworth G°55° Plaquettes réversibles BSW Whitworth G°55°	Beschichtet Coated Revêtu	Unbeschichtet Uncoated Non-rêvêtu	Type Type Type	Gangzahl auf 1 Zoll Number of threads per inch Nombre de filets au pouce	Fl.∠
SCGS-08-55°-T6-12°-L/R-G1A	BD1		T6	72-60-56-48-40-36-32	55°
SCGS-08-55°-T7-12°-L/R-G1A	BD1		T7	28-26-24-22-20-19-18	
SCGS-08-55°-T8-12°-L/R-G1A	BD1		T8	16-14-12-11-10-9	

Außengewindestrehlen External threading Filetage extérieur

Vollprofil Full profile Profil plein

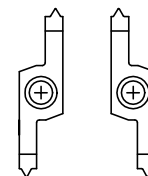


Bestellbezeichnung Order number Désignation de commande


Halter Holder Porte-outils	h	h1	L	Schraube Screw Vis	Schlüssel Key Clef
SSXC-08-1212-L/R	12	12	140	M4x11.5	T15
SSXC-08-1616-L/R	16	16	125		
SSXC-08-2020-L/R	20	20	125		

Linker Halter linke Platte
Left-hand holder left-hand insert
Porte-outil gauche Plaquette gauche

Rechter Halter rechte Platte
Right-hand holder right-hand insert
Porte-outil droite Plaquette droite



Wendepplatten ISO Metrisch 60°
Indexable inserts ISO metric 60°
Plaquettes réversibles ISO métriques 60°

	Beschichtet Coated Revêtu	Steigung mm Pitch mm Pas mm	h min.	y	Links Left Gauche	Rechts Right Droite	
SCGSV-08-60°-0.5-12°-L/R-G1A	BD1	0.5	0.31	0.4	●	●	● ab Lager ex stock en magasin ☞ auf Anfrage on request sur demande  Seite Page 20
SCGSV-08-60°-0.6-12°-L/R-G1A	BD1	0.6	0.37	0.6	☞	☞	
SCGSV-08-60°-0.7-12°-L/R-G1A	BD1	0.7	0.43	0.6	☞	☞	
SCGSV-08-60°-0.75-12°-L/R-G1A	BD1	0.75	0.46	0.6	☞	●	
SCGSV-08-60°-0.8-12°-L/R-G1A	BD1	0.8	0.49	0.6	☞	☞	
SCGSV-08-60°-1.0-12°-L/R-G1A	BD1	1.0	0.61	0.7	●	●	
SCGSV-08-60°-1.25-12°-L/R-G1A	BD1	1.25	0.77	0.9	☞	☞	
SCGSV-08-60°-1.5-12°-L/R-G1A	BD1	1.5	0.92	1.0	●	●	
SCGSV-08-60°-1.75-12°-L/R-G1A	BD1	1.75	1.07	1.2	☞	☞	
SCGSV-08-60°-2.0-12°-L/R-G1A	BD1	2.0	1.23	1.3	☞	☞	
SCGSV-08-60°-2.5-12°-L/R-G1A	BD1	2.5	1.53	1.5	☞	☞	